



Suitable for kitchen exhaust

An integrated tray with fat drain prevents roof pollution.

Highly effective sound insulation

The DVNI series has got a 40mm insulation of mineral wool. A strong glass fibre yarn prevents the escape of mineral fibres. An additional mechanical protection is done by a perforated metal plate. The average sound attenuation is 9dB(A).

- Outer casing made of seawater resistant AlMg3
- Motor outside of air stream
- Motor voltage controllable
- Swing out fan section
- with isolator switch
- Integrated drain pan
- 40 mm mineral wool insulation (DVNI)



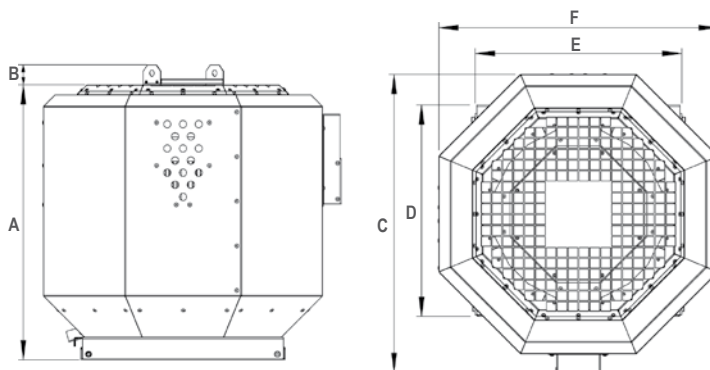
Sound insulation

A high class 40mm mineral wool is covered by glass fibre yarn which prevents the escape of mineral fibres and a perforated metal plate prevents insulation damages.



Swing out

The fan section can be lifted up for maintenance purposes.



Type	ID	U	f	η_{fa}	η_t	A	B	C	D	E	F	Weight [kg]	Wiring diagram
		[V]	[Hz]	[%]	[%]	[mm]	[mm]	[mm]	[mm]	[mm]	[mm]		
DVNI 280 E2	122013	230V ~	50	38,4	39,6	567		615	436	426	577		121998
DVNI 315 E2	121705	230V ~	50	41,8	44,4	567		615	436	426	577		121998
DVNI 355 E2	122166	230V ~	50	40,1	41,5	700		750	549	540	712		121998
DVNI 400 E4	121709	230V ~	50	31,6	32,8	700		750	549	540	712		121998
DVNI 450 E4	122010	230V ~	50	44,6	45,7	791	39	908	683	674	870		121998
DVNI 500 E4	121720	230V ~	50	46,1	47,4	791	39	908	683	674	870		121998
DVNI 560 D4	122294	400V 3~	50	52,0	51,0	969	38	1113	945	936	1075	83,0	122319
DVNI 630	coming soon												
DVNI 710	coming soon												
DVNI 800	coming soon												

DVNI Roof fan, insulated, kitchen exhaust up to 120°C

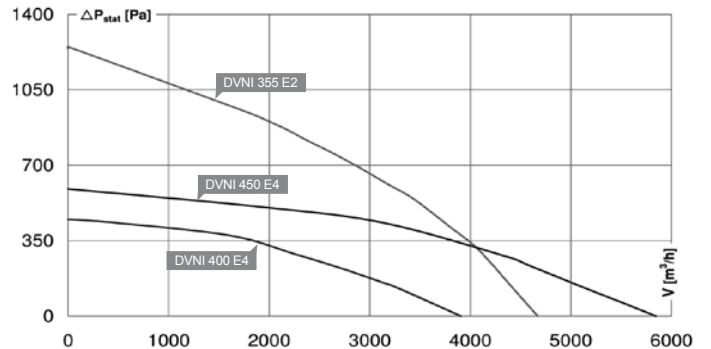
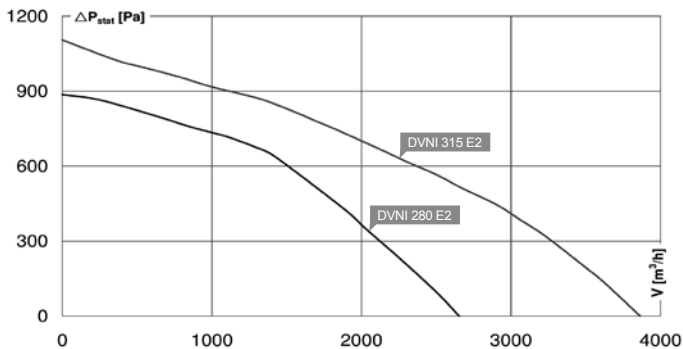


Specific Accessories
For details see page: 150

	EUR		EUR		EUR		EUR		EUR
DVNI 280 E2 ID 122013	1070,-	DVNI 315 E2 ID 121705	1100,-	DVNI 355 E2 ID 122166	1340,-	DVNI 400 E4 ID 121709	1300,-	DVNI 450 E4 ID 122010	1530,-
230V ~/50Hz 120 °C 2650 m³/h 650 W 3,8 A 82/79/- db(A)		230V ~/50Hz 120 °C 3860 m³/h 880 W 5,0 A 80/77/- db(A)		230V ~/50Hz 120 °C 4670 m³/h 1.250 W 7,7 A 87/80/- db(A)		230V ~/50Hz 120 °C 3910 m³/h 540 W 2,9 A 74/71/- db(A)		230V ~/50Hz 120 °C 5850 m³/h 810 W 4,3 A 73/70/- db(A)	

-  **5-Step Transformer**
With motor protection
-  **Flat Roof Socket**
-  **Socket Silencer**
-  **Inlet Flange**
-  **Inlet Collar**
-  **Shutter automatic**
automatic

TEM 050 ID 103519	225,-	TEM 075 ID 103507	265,-	TEM 100 ID 103511	420,-	TEM 035 ID 103502	210,-	TEM 050 ID 103519	225,-
DSF 280 ID 109593	164,-	DSF 280 ID 109593	164,-	DSF 355 ID 109619	212,-	DSF 355 ID 109619	212,-	DSF 450 ID 109784	224,-
DSS 280 ID 111352	266,-	DSS 280 ID 111352	266,-	DSS 355 ID 111353	380,-	DSS 355 ID 111353	380,-	DSS 450 ID 111354	420,-
DAF 250 ID 110585	19,-	DAF 250 ID 110585	19,-	DAF 400 ID 109826	31,-	DAF 400 ID 109826	31,-	DAF 400 ID 109826	31,-
DAS 250 ID 109413	72,-	DAS 250 ID 109413	72,-	DAS 400 ID 109827	127,-	DAS 400 ID 109827	127,-	DAS 400 ID 109827	127,-
DVK 250 ID 109233	94,-	DVK 250 ID 109233	94,-	DVK 400 ID 109213	158,-	DVK 400 ID 109213	158,-	DVK 400 ID 109213	158,-





Specific Accessories
For details see page: 150

coming soon

	EUR	EUR	EUR	EUR	EUR
DVNI 500 E4 ID 121720	1580,-	DVNI 560 D4 ID 122294	2150,-	DVNI 630	DVNI 710
DVNI 800					
MDNI: 230V ~/50Hz 120 °C 7930 m³/h 1.240 W 7,2 A 81/79/- db(A)		MDNI: 400V 3~/50Hz 120 °C 11830 m³/h 2.080 W 4,6 A 80/77/- db(A)			

MYSM:		TDM 060 ID 111557	560,-						
MYSM:	TEM 075 ID 103507	265,-							5-Step Transformer With motor protection
MYMDF:	DSF 450 ID 109784	224,-	DSF 560 ID 122314	380,-					5-Step Transformer With motor protection
MYMDS:	DSS 450 ID 111354	420,-	DSS 560 ID 122313	590,-					Flat Roof Socket
MYMDA:	DAF 400 ID 109826	31,-	DAF 560 ID 122288	120,-					Socket Silencer
MYMDN:	DAS 400 ID 109827	127,-	DAS 560 ID 122287	167,-					Inlet Flange
MYMDV:	DVK 400 ID 109213	158,-	DVK 560 ID 122289	208,-					Inlet Collar
									Shutter automatic automatic

