

## Climate convector CULTRA-Studioline



Ferdinand Schad KG  
Steigstraße 25 - 27  
78600 Kolbingen  
Telefon (07463) 980 - 0  
Telefax (07463) 980 - 200  
[info@schako.de](mailto:info@schako.de)

## **CULTRA-Studioline**

# **Climate convector**

## **Contents**

Description	3
Construction	3
Model	3
Accessories	3
Models and dimensions	
Dimensions	4
Order details	6

## CULTRA-Studioline

# Climate convector

## Description

### Construction

filter	- front frame and blades of aluminium extrusion profile natural colour anodized (E6/EV1) with front side horizontal stationary profile blades.
faceplate	- front plate of sheet steel painted in RAL 9010 (white) with plastic blades painted in RAL 9005 (black) or RAL 9010 (white).
housing	- pocket filter G2 (EU2)
Reverse silencer	- alcubond, painted
	- galvanised sheet steel
	- galvanised housing
	- insulation material, construction class B1 (standard) to DIN 4102
	- insulation material, construction class A2 (non flammable) to DIN 4102
fan	- cross flow fan
	- galvanised housing
	- running wheel of aluminium
	- blade retainer of plastic (PA6)
cooling only or heating and cooling coil	
	- 2-conductor circuit
	- 4-conductor circuit
	- galvanised steel steel frame
	- aluminium fins
	- copper coils

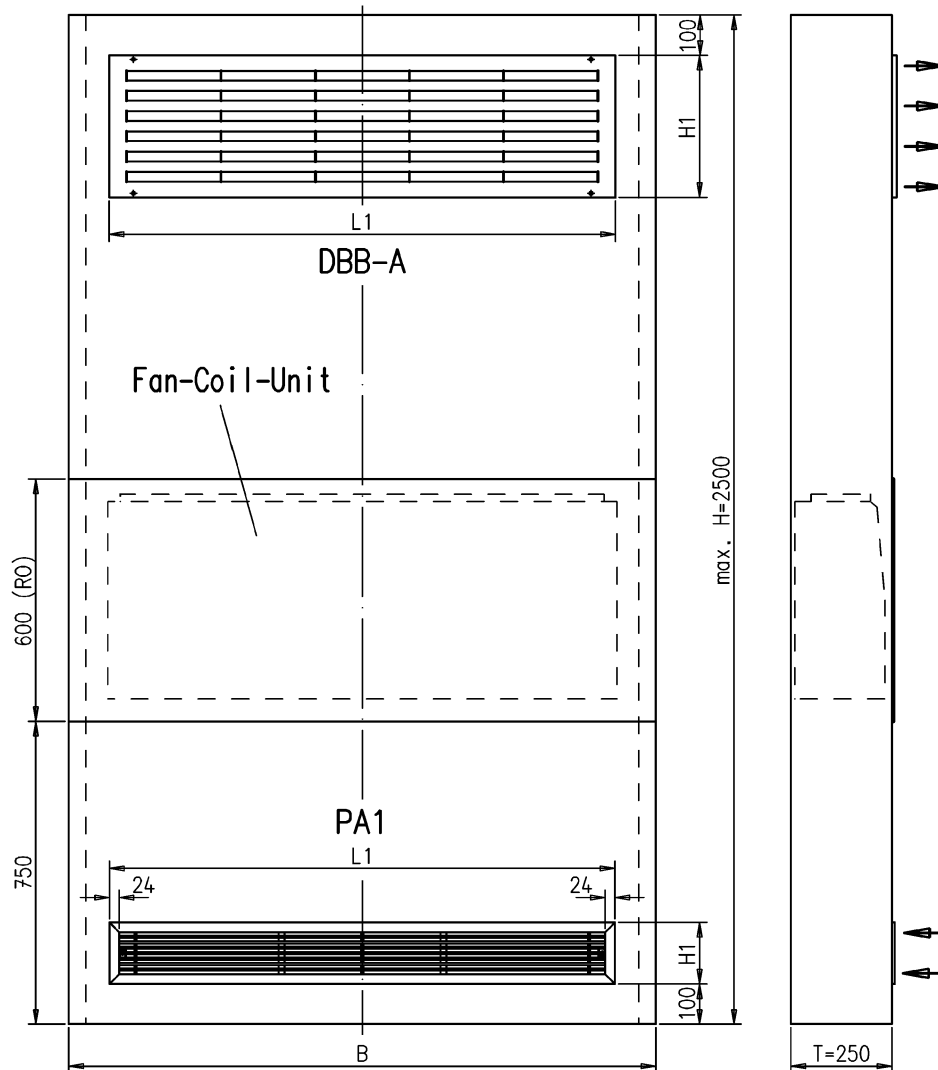
## Model

CULTRA-Studioline	- circulating air module with suction and draught air grille, reverse silencer, fan, filter and cool or heat register.
-------------------	--

## Accessories

room acoustic module (Audimin)	- brochure on request
--------------------------------	-----------------------

**CULTRA-Studioline**  
**Climate convector**  
**Models and dimensions**  
**Dimensions**

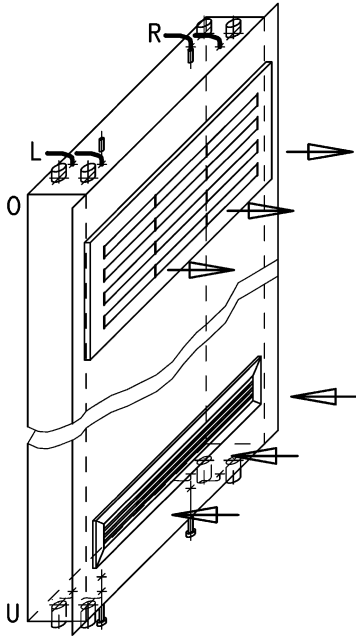


## CULTRA-Studioline

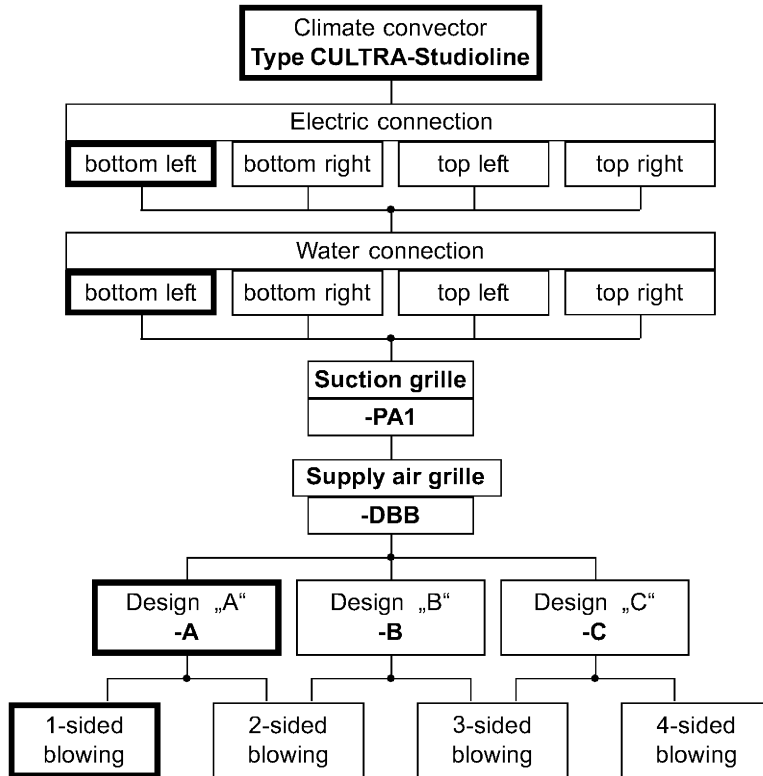
# Climate convector

### Available sizes

Fan-Coil-Unit	B	H	T	ASG			ABG			V (m <sup>3</sup> /h)	Q (KW)	QS (KW)
				PA1 (LxH)	L1	H1	DBB (LxH)	L1	H1			
SC 003 - HT2	750	2500	250	625x125	648	152	625x215	650	252	165	0,99	0,75
SC 004 - HT4												
SC 103 - HT2	900	2500	250	625x225	648	252	625x315	650	352	235	1,45	1,09
SC 104 - HT4												
SC 203 - HT2	1100	2500	250	825x225	848	252	825x415	850	452	395	2,32	1,76
SC 204 - HT4												
SC 303 - HT2	1450	2500	250	1225x125	1248	152	1225x315	1250	352	445	2,84	2,11
SC 304 - HT4												
SC 403 - HT2	1550	2500	250	1225x225	1248	252	1225x415	1250	452	695	3,88	3,00
SC 404 - HT4												
SC 503 - HT2	1800	2500	250	1525x225	1548	452	1525x415	1550	452	825	4,73	3,62
SC 504 - HT4												



**CULTRA-Studioline**  
**Climate convector**  
**Order details**



**Order example:**

CULTRA-Studioline-DBB-B-2

**At non-specified order the thick framed design will be delivered!**