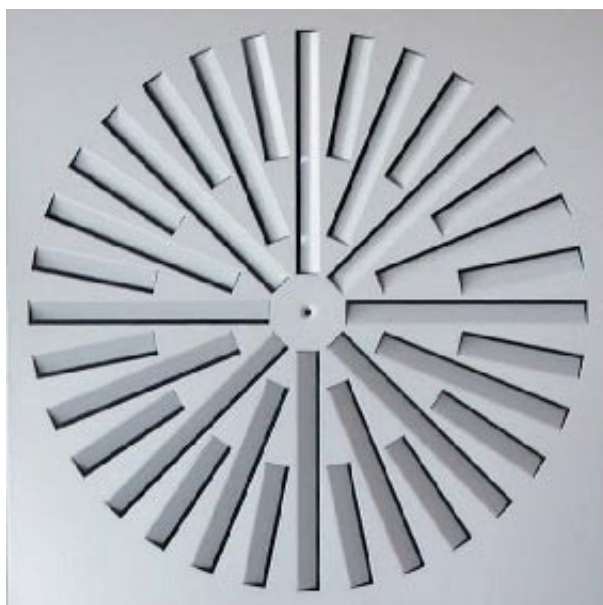


Diffuser DO-SR-F



Ferdinand Schad KG
Steigstraße 25 - 27
78600 Kolbingen
Telefon (07463) 980 - 0
Telefax (07463) 980 - 200
info@schako.de

DO-SR-F Diffuser

Contents

Description	3
Construction	3
Model	3
Accessories	4
Fixing	4
Models and dimensions	
Dimensions	5
Accessories - dimensions	6
Legend	6
Order details	7
Specification texts	8

DO-SR-F Diffuser

Description

The DO-SR-F ceiling swirl diffuser was developed especially for comfort rooms with a high number of airchanges. It is made with either a square faceplate (type DOA-SR-F) or round faceplate (type DOR-SR-F) with integrated air guidance vanes. The vanes achieve a horizontal air pattern. The diffuser can be used for both supply or extract air.

The diffuser is especially suitable for VAV systems. A stable jet is guaranteed by the high exit velocity, thus ensuring no air dumping.

If the parameter "critical throw" x (m) is smaller than the "horizontal throw" x (m) parameter when making your selection, then the calculation for the maximum end velocity V (m/s) is based on the critical throw x and not the horizontal throw x .

A volume flow measurement device can be fitted to the plenum box at additional cost. The deviation factor of the device is +/- 5% at $L = 40\text{dB(A)}$ and requires a minimum straight duct section of $1 \times D$. The measurement is taken with a built in diffuser. The air volumes can quickly and easily be adjusted by using the perforated plate damper.

The perforated plate damper, equalising grid and measurement device can easily be removed from the plenum type SGK - ROB model for easy cleaning from the room side.

Attention:

The swirl diffuser type DO-SR-F can only be fitted with a plenum box type SGK

Technical details

Look at swirl diffuser type DQJ-SR / SQ

Please consider the correction factors shown below.

Correction factor for DO-SR-F against DQJA-SR with air pattern "A"

	400	NW 500	600/625
v_{max} (m/s)	× 1,1	× 1,1	× 1,15
x_{kr} (m)	× 0,8	× 0,8	× 0,8
i (-)	× 0,42	× 0,42	× 0,42
TV (-)	× 2,4	× 2,4	× 2,4

Construction

Faceplate

- painted sheet steel RAL 9010 (white)
- painted sheet steel, in another RAL colour (at extra cost)
- anodised aluminium E6/EV1

Model

DOA-SR-F - square face plate
DOR-SR-F - round faceplate

DO-SR-F

Diffuser

Accessories

- | | |
|-------------------------------------|--|
| plenum box (-SGK) | - made from galvanised sheet steel , with equalising grid for supply air, painted black RAL 9005 as standard inside for extract air or RAL 9010 (white), with fixing lugs. |
| rubber gasket (-GD) | - special rubber |
| perforated plate damper (-LD) | - galvanised sheet steel damper
- plastic damper fixing |
| ROB model (-ROB) | - removable equalising grid, perforated damper and regulating device |
| volume flow measuring device (-VME) | - mounting from galvanised sheet steel
- plastic measurer
- aluminium connections |

Fixing

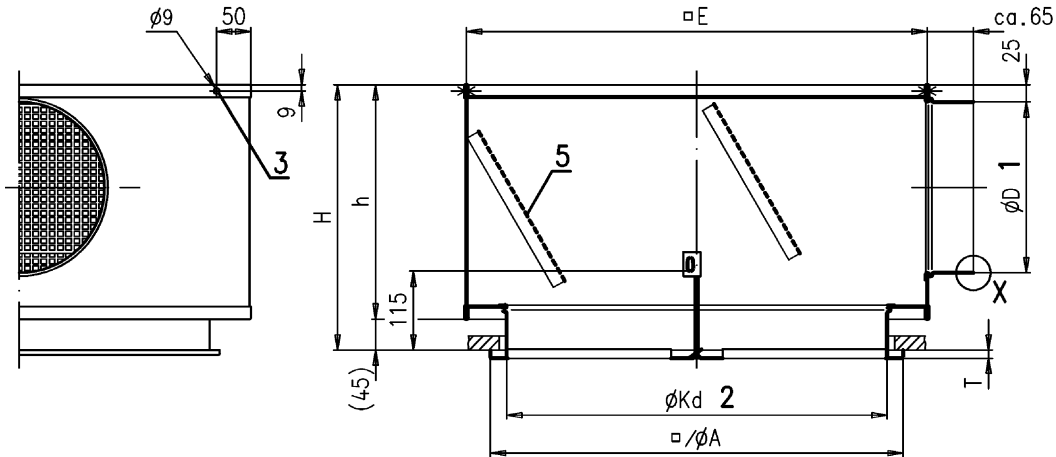
- | | |
|---------------------|--|
| screw fixing (-SM) | - not available! |
| secret fixing (-VM) | - traverse fixing, using a M6 central screw DIN EN ISO 4762 only at plenum box type (-SGK) available |

DO-SR-F Diffuser

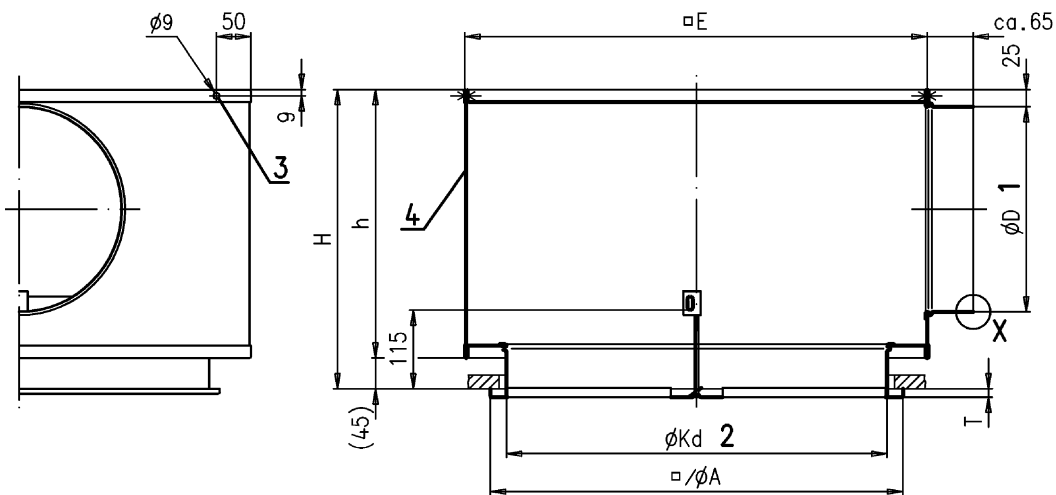
Models and dimensions

Dimensions

DOA-SR-F / DOR-SR-F with SGK-Z (for supply air)



DOA-SR-F / DOR-SR-F with SGK-A (for extract air)



- 1 = external
- 2 = internal
- 3 = mounting on site
- 4 = inside paint RAL 9005 (black as standard) or RAL 9010 (white)
- 5 = not available for sizes 600 and 625

Available sizes

NW	DOA-SR-F		DOR-SR-F		SGK-Z					SGK-A				
	□A	T	øA	T	□E	øKd	H	h	øD	□E	øKd	H	h	øD
400	398	12	400	7	445	353	295	250	158	445	353	335	290	198
500	498		500		525	453	335	290	198	545	453	385	290	248
600	598		600		670	553	385	340	248	670	553	435	390	298
625	623		625		670	553	385	340	248	670	553	435	390	298

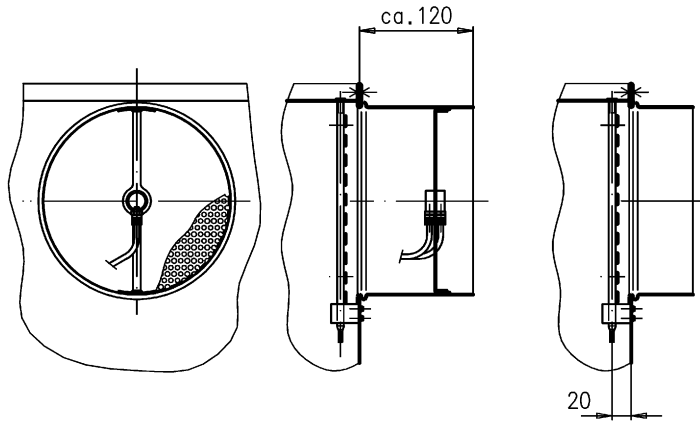
DO-SR-F Diffuser

Accessories - dimensions

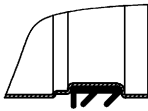
(at additional cost):

volume flow measuring device (-VME)

perforated plate damper (-LD)



rubber gasket (GD)
detail X

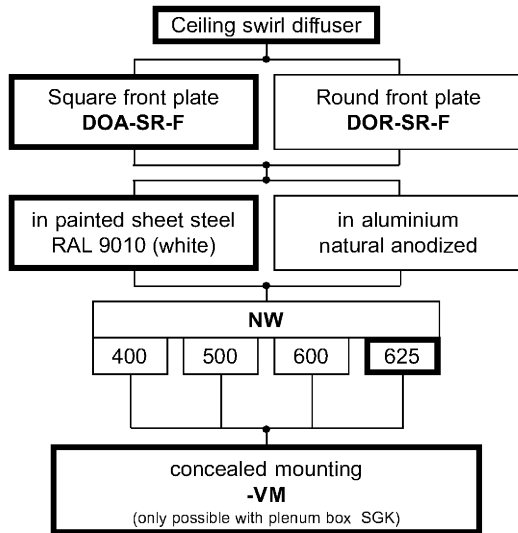


Legend

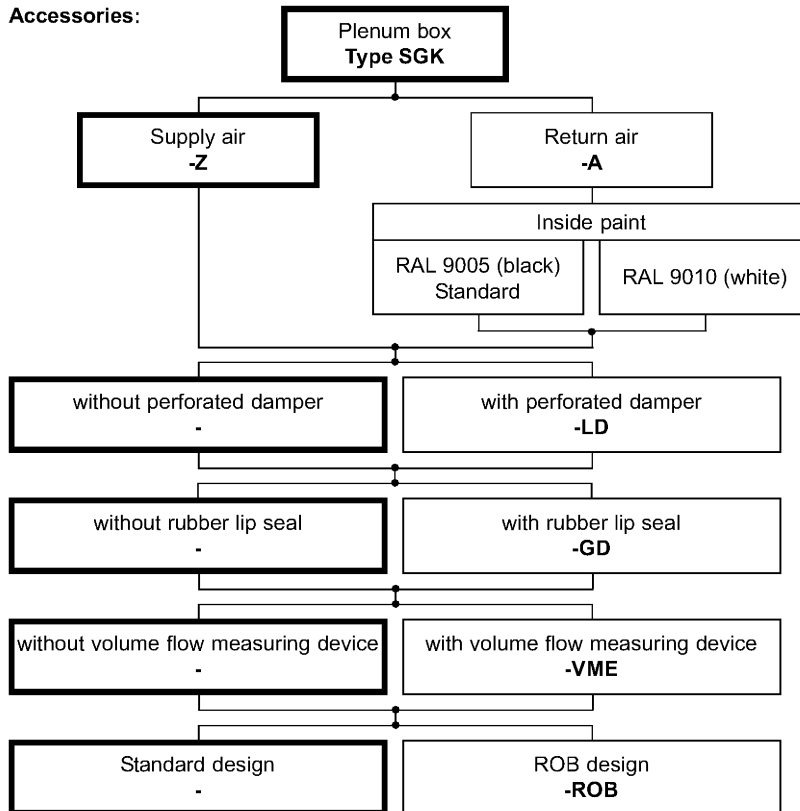
NW (mm)	=	nominal value
v_{max} (m/s)	=	maximum end velocity
x_{kr} (m)	=	critical throw
i (-)	=	induction ratio
TV (-)	=	temperature ratio

DO-SR-F Diffuser

Order details



Accessories:



Order example:

DO-SR-F-625-VM-SGK-Z

At non-specified order the thick framed design will be delivered!

DO-SR-F

Diffuser

Specification texts

Ceiling swirl diffuser **type DOA-SR-F** for supply and extract air with square sheet steel faceplate painted RAL 9010 (white), with integrated fixed guidance vanes for a horizontal throw, with secret fixing.

Manufacturer: SCHAKO **type DOA-SR-F**

- with round faceplate
manufacturer : SCHAKO **type DOR-SR-F**
- anodised aluminium faceplate (E6/EV1)

Accessories:

- with galvanised sheet steel plenum box (SGK) with fixing lugs
 - supply air model with equalising grid
 - extract air model painted inside
 - RAL 9005 (black, standard)
 - RAL 9010 (white)
 - with perforated plate damper (-LD) in the plenum box, adjustable from below for commissioning.
 - with volume flow regulating device (-VME)
 - with ROB model (-ROB)
removable equalising grid, damper and regulating device
 - rubber gasket (-GD), onspigot