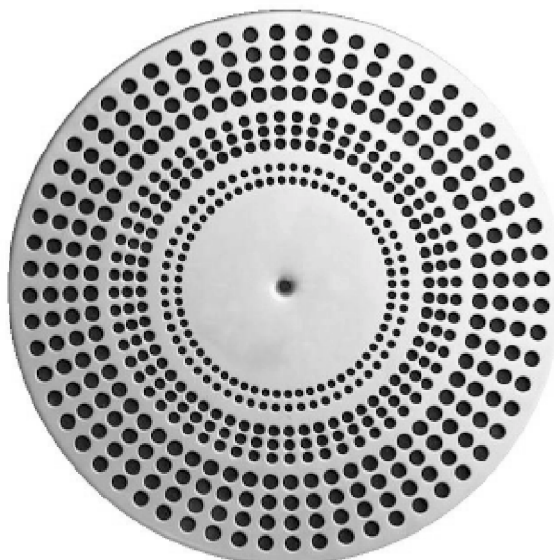


**floor displacement diffuser  
PIL-B**



Ferdinand Schad KG  
Steigstraße 25 - 27  
78600 Kolbingen  
Telefon (07463) 980 - 0  
Telefax (07463) 980 - 200  
[info@schako.de](mailto:info@schako.de)

**PIL-B**

## **floor displacement diffuser**

### **contents**

Description	3
Construction	3
Model	3
Accessories	3
features	3
Models and dimensions	
Dimensions	4
Accessories - dimensions	5
Technical data	
Pressure loss and noise level	6
Maximum end velocity	7
induction ratio	8
Temperature ratio	8
Legend	9
Order details	10
Specification texts	11

## PIL-B

# floor displacement diffuser

## Description

The SCHAKO type PIL-B floor displacement diffuser is especially suitable for rooms with high heat loads i.e. computer rooms and are usually installed in a false floor. The supply air impulses horizontally from the diffuser. The very high induction rate enables the temperature difference and velocity to be reduced quickly and effectively near the diffuser.

The round floor displacement unit consists of a faceplate and dirt collection basket. The base of the basket is height adjustable. Therefore units can be commissioned individually especially when there are different pressure drops.

The rectangular model consists of a faceplate and baffle.

The supply air temperature should not be less than 19°C and the temperature difference between extract air and supply air should be < 10 K.

faceplate loading

maximum load through a central point of 50mm diameter.

NW	PIL-B-R		PIL-B-Q	
	200	250	600 × 600	1000 × 300
kN	1,5	1,5	3,0	3,0

## Construction

baffle plate

- only with PIL-B-R, made from painted sheet steel RAL 9005 (black)

support frame

- only with PIL-B-Q, made from painted sheet steel RAL 9005 (black)

faceplate

- made from stainless steel 1.4301

## Model

PIL-B-R

- round faceplate

PIL-B-Q

- square face plate

## Accessories

plenum box (-AK)

- only for PIL-B-R, from galvanised sheet steel

fixing claws (-BK)

- only for PIL-B-R, from galvanised sheet steel

dirt collection basket (-SFK)

- only for PIL-B-R, from galvanised sheet steel

## features

### Attention!

We would like to draw your attention to the fact that the stainless models are exclusively to be cleaned by using a special cleanser.

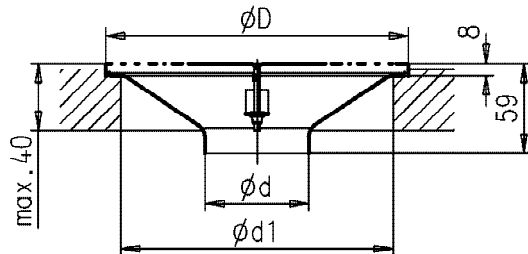
PIL-B

## floor displacement diffuser

### Models and dimensions

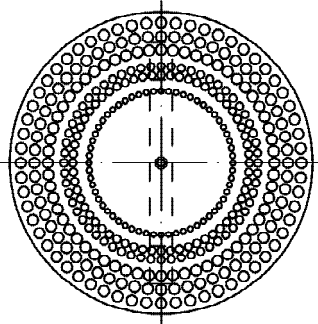
#### Dimensions

PIL-B-R

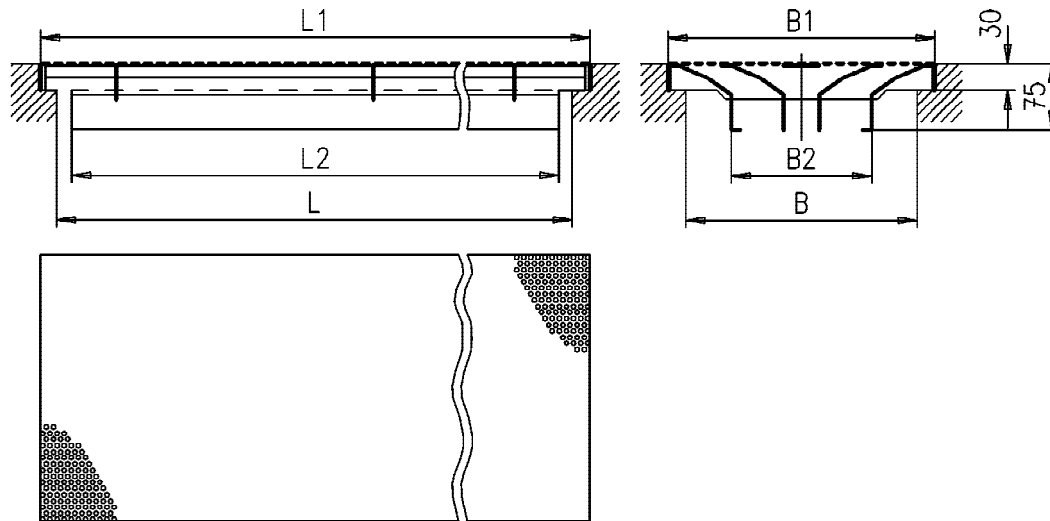


available sizes

NW	$\phi D$	$\phi d$	$\phi d1$
200	200	72,5	180
250	250	102	230



PIL-B-Q



available sizes

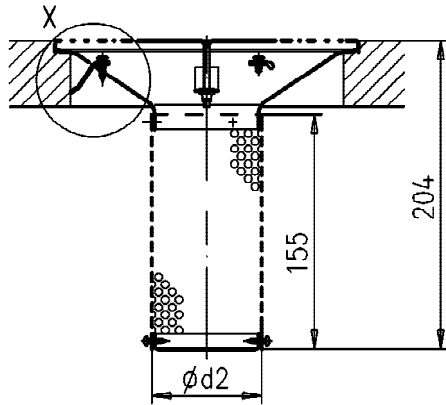
NW	B	B1	B2	L	L1	L2
600 × 600	560	600	458	560	600	530
1000 × 300	260	300	158	960	1000	930

PIL-B

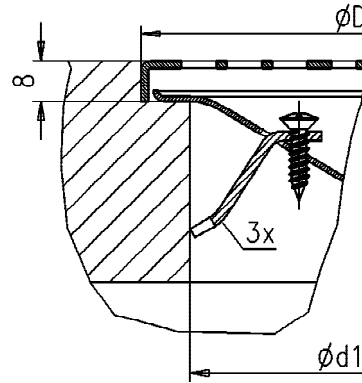
## floor displacement diffuser

### Accessories - dimensions

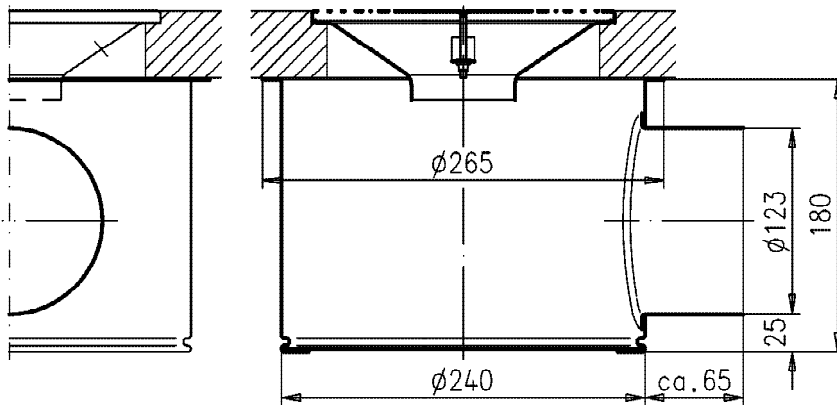
extras for PIL-B-R (at extra cost):  
dirt collection basket (-SFK)



fixing claws (-BK)  
detail X



plenum box (-AK)

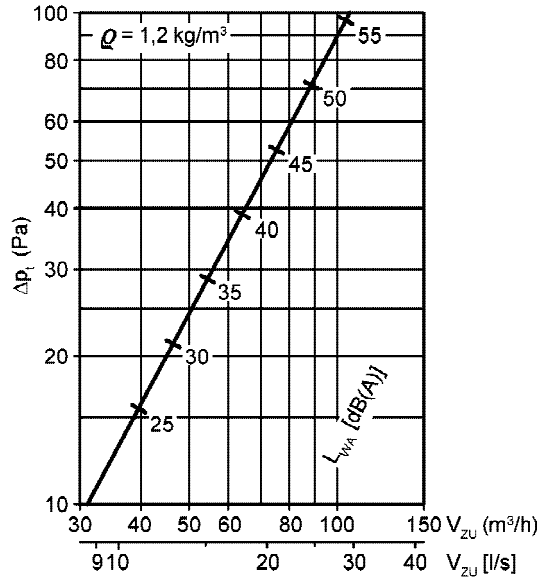


**PIL-B**  
**floor displacement diffuser**

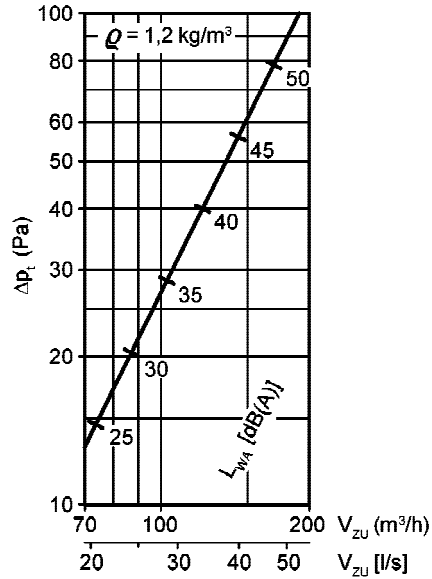
**Technical data**

**Pressure loss and noise level**

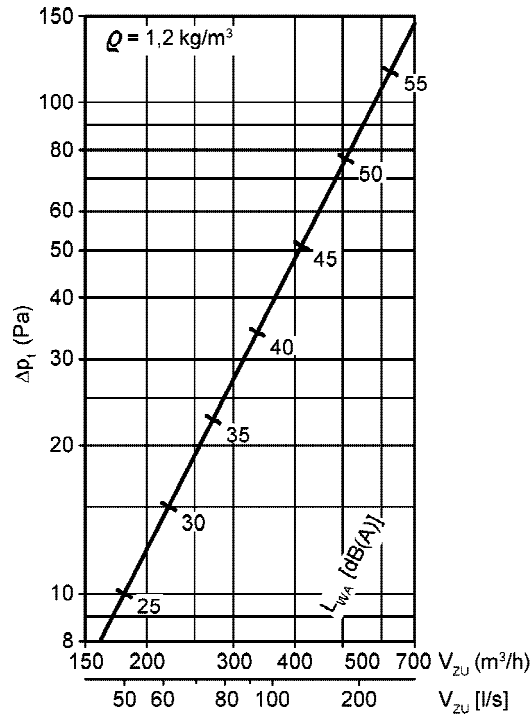
**PIL-B-R 200**



**PIL-B-R 250**



**PIL-B-Q 600 x 600**

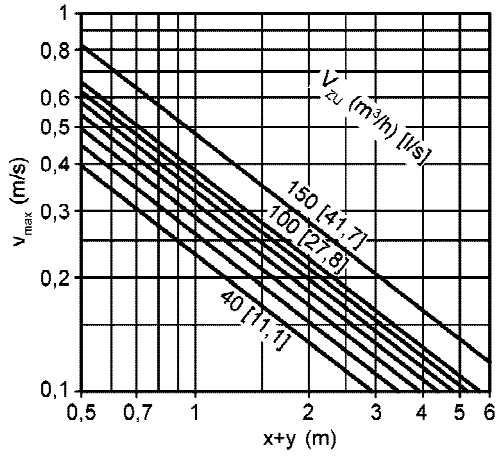


PIL-B

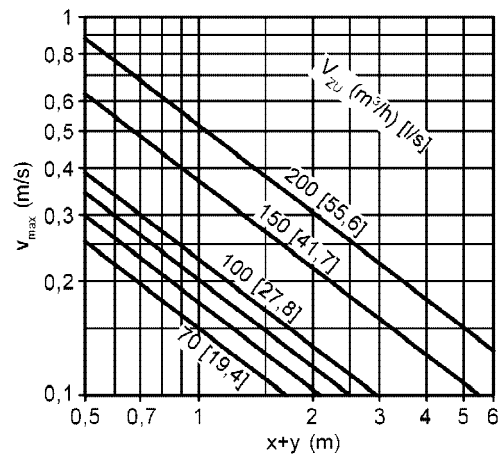
floor displacement diffuser

Maximum end velocity

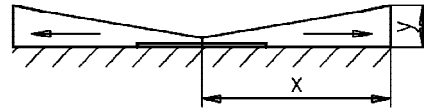
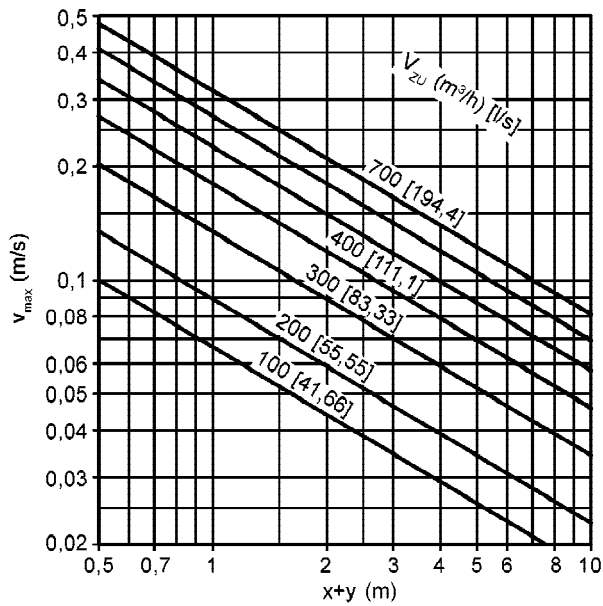
PIL-B-R 200



PIL-B-R 250



PIL-B-Q 600 x 600

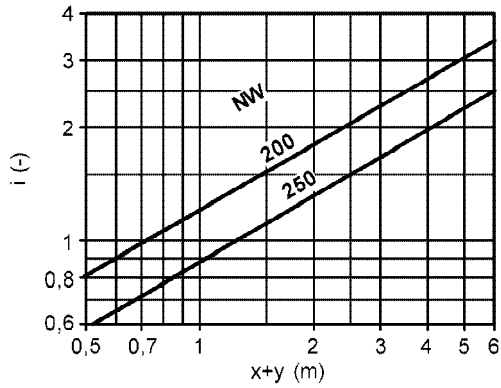


PIL-B

## floor displacement diffuser

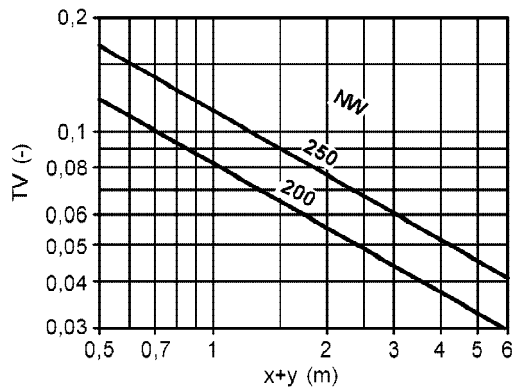
induction ratio

PIL-B-R 200 / 250



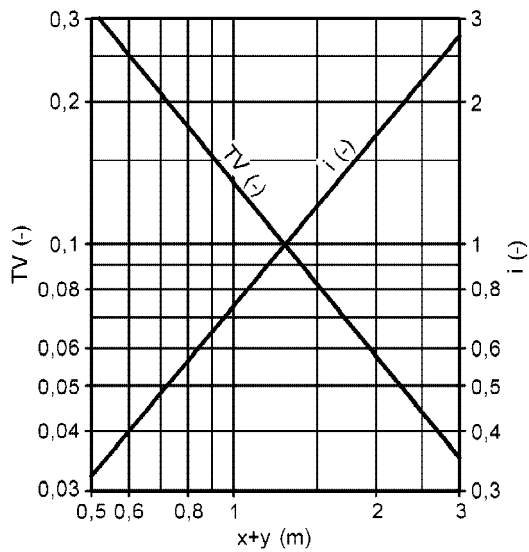
Temperature ratio

PIL-B-R 200 / 250



temperature and induction ratio

PIL-B-Q 600 x 600



## PIL-B

### floor displacement diffuser

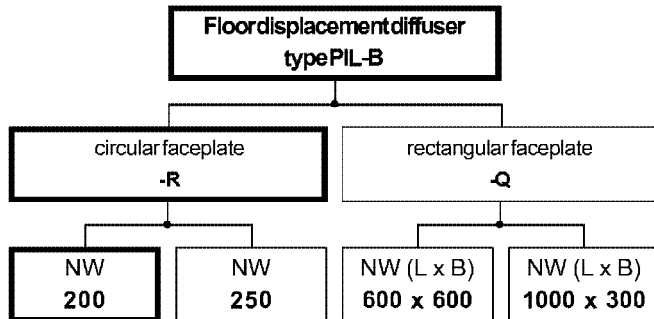
#### Legend

$\Delta p_1$ (Pa)	=	pressure loss
$V_{\text{supp}}$ (m <sup>3</sup> /h)	=	supply air volume
$V_{\text{supp}}$ (l/s)	=	supply air volume
$V_{\text{ext}}$ (m <sup>3</sup> /h)	=	supply air volume
$V_{\text{ext}}$ (l/s)	=	supply air volume
$\rho$ (kg/m <sup>3</sup> )	=	density
$x$ (m)	=	horizontal throw
$L_{\text{WA}}$ [dB(A)]	=	a weighted sound power level
NW (mm)	=	nominal value

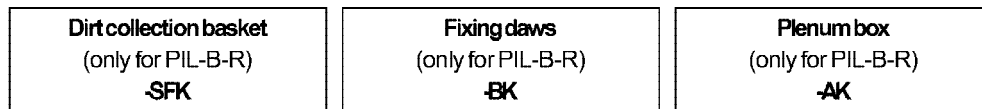
PIL-B

## floor displacement diffuser

### Order details



#### Accessories:



#### Order example

PIL-B-R-200-BK-SFK

**At non-specified order the thick framed design will be delivered!**

## PIL-B

### floor displacement diffuser

#### Specification texts

floor displacement diffuser for false floor installation, consisting of stainless steel faceplate 1.4301 with impulse creating perforations. support frame painted RAL 9005 (black)  
manufacturer: SCHAKO type PIL-B-Q

nominal size (NW)

- 600 x 600 (L x B)
- 1000 x 300 (L x B)

floor displacement diffuser for false floor installation, consisting of stainless steel faceplate 1.4301 with impulse creating perforations. sheet steel baffle RAL 9005 (black).  
manufacturer: SCHAKO type PIL-B-R

nominal size (NW)

- 200
- 250

extras:

- dirt collection basket (-SFK), only for PIL-B-R, galvanised sheet steel with height adjustable base for setting air volumes.
- fixing claws (-BK), only for PIL-B-R, galvanised sheet steel
- plenum box (-AK), only for PIL-B-R, galvanised sheet steel