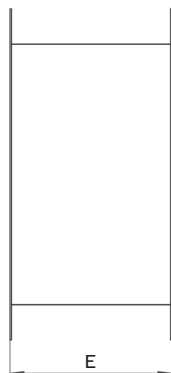
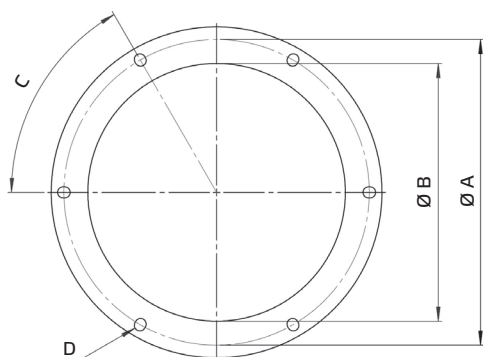


DATA SHEET

Shutter automatic DVK...10 F4



Type	ID	Ø A mm	Ø B mm	C mm	D mm	E mm	Weight kg
DVK 180 10 F4	153008	213	182	6 x 60°	6 x Ø 9,5	120	1,2
DVK 250 10 F4	153009	286	253	6 x 60°	6 x Ø 9,5	162	2,0
DVK 400 10 F4	153010	438	400	6 x 60°	6 x Ø 10	271	7,1
DVK 560 10 F4	153011	605	560	8 x 45°	8 x Ø 10	271	10,5
DVK 630 10 F4	153012	674	630	8 x 45°	8 x Ø 10	271	11,4

- Automatic shutter for vertical installation
- Temperature class according to DIN EN 12101-3 F400 (400°C / 120min)
- Sheet steel, galvanized

Type	ID	for Roof Fans	DHN / DVN / DVNI ... F4
DVK 180 10 F4	153008		225, 250
DVK 250 10 F4	153009		280, 315
DVK 400 10 F4	153010		355, 400, 450, 500
DVK 560 10 F4	153011		560, 630
DVK 630 10 F4	153012		710

Pressure loss curve (density 1,2 kg/m³)

