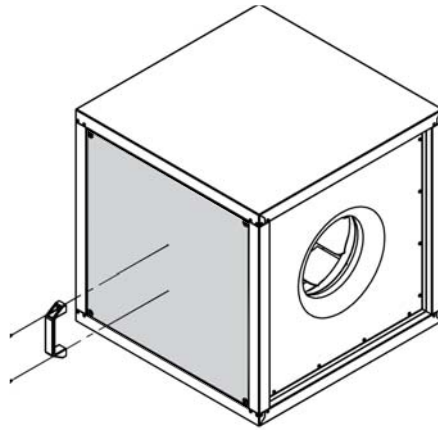


-  With matching accessories, suitable for outdoor installation
-  In the end install the handle on a closed, easily accessible panel for maintenance.



10.1. Assembly with accessories

