

CEILING MOUNTING PLATE VALLOX 51 MV

Installation instructions



Ceiling mounting plate

CEILING MOUNTING PLATE VALLOX 51

1. Install the ceiling mounting plate with M8 thread bars so that it is horizontally level.



NOTE! The end of the thread bars must be 5 mm or less below the fastening nut. Do not fasten the ceiling mounting plate too tight to the ceiling. Ensure that the sliding bars move and restore to their original position by pulling from the operating levers (A).

The top edge of the white covering strip of the ceiling mounting plate can be installed against the ceiling. Alternatively, a concealed mounting method can be used, in which case the ceiling can be 30 mm below the top of the white covering strip.

2. Ensure that the insulation washers are in place in the outlet collars below the ceiling mounting plate.
3. The door of the unit must be removed when the Vallox 51 ventilation unit is installed onto the wall mounting plate.
4. Lift the ventilation unit close to the ceiling mounting plate and feed the cables through the hole in the ceiling mounting plate on top of the ceiling. Alternatively, the cables can be fed between the ceiling mounting plate and the ventilation unit to the rear wall, to the area shown in the figure.



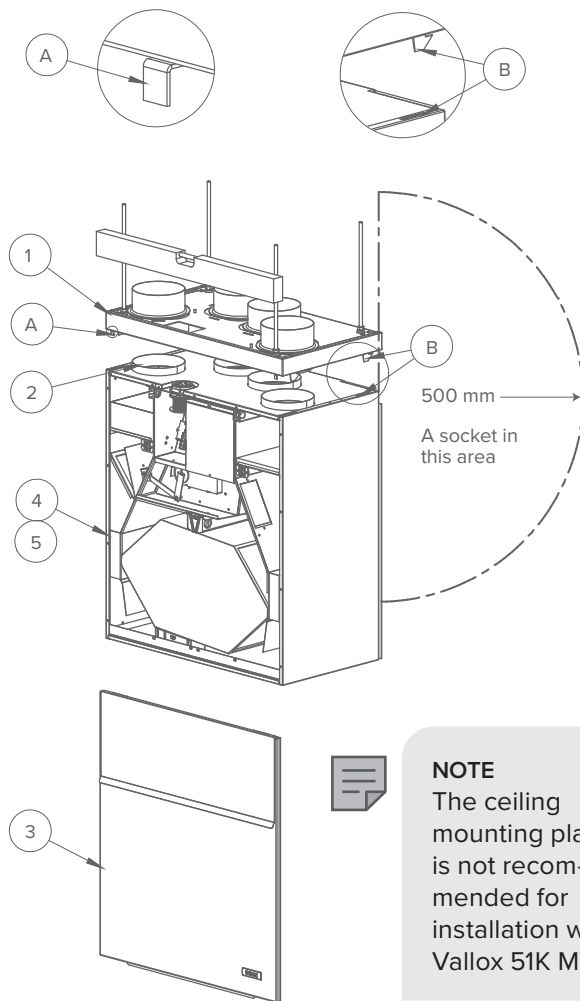
NOTE! Remember to make a service door in the ceiling so that the cables can be accessed. The distance between the service door and the ceiling mounting plate must be around 500 mm.

When the ventilation unit is lifted against the ceiling mounting plate, the unit locks in place. (Where needed, guide the mounting hooks on the ceiling mounting plate (B) to the grooves on the side panels of the ventilation unit).

There are operating levers (A) on the front bottom corners of the ceiling mounting plate. When the levers have been restored to the same level with

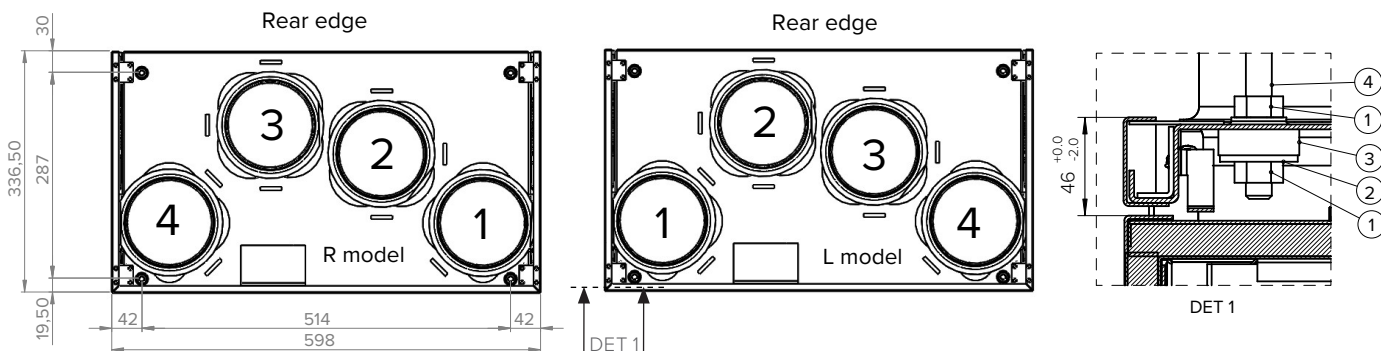
the white covering strip of the ceiling mounting plate, the unit has been locked in place.

5. Where required, the unit can be detached from the ceiling mounting plate. Remove the door of the unit. Lift the unit slightly upwards and pull simultaneously from both operating levers (A) of the ceiling mounting plate to detach the unit from the ceiling mounting plate.



NOTE
The ceiling mounting plate is not recommended for installation with Vallox 51K MV.

Dimensions and duct outlets

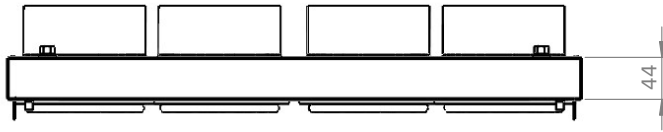


Duct outlets

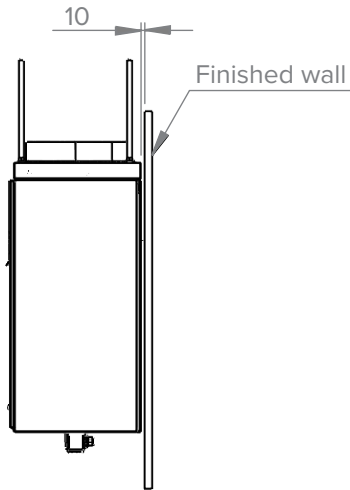
- | | |
|---|---|
| 1. Outdoor air to the unit | 3. Supply air from the unit to the apartment |
| 2. Exhaust air flowing outdoors from the unit | 4. Extract air from the apartment to the unit |

1. Nut M8
2. Washer
3. Vibration rubber damper
4. Thread bar M8

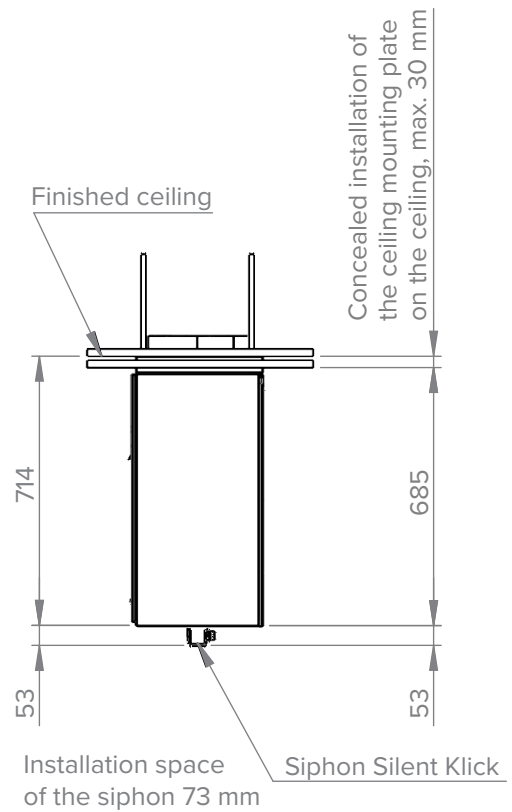
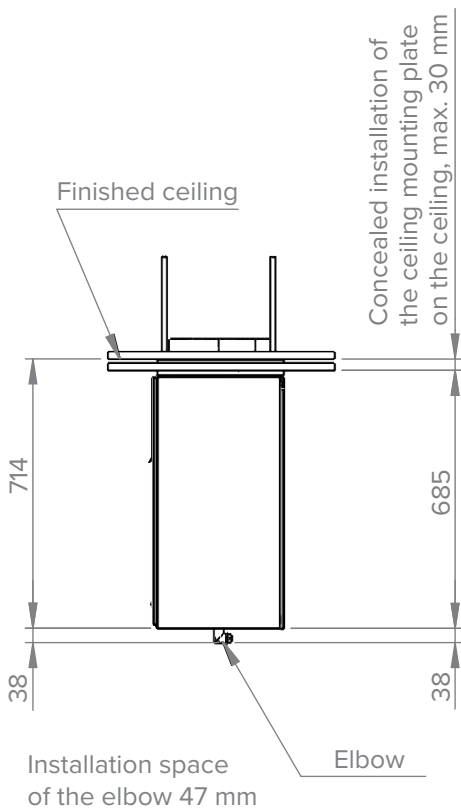
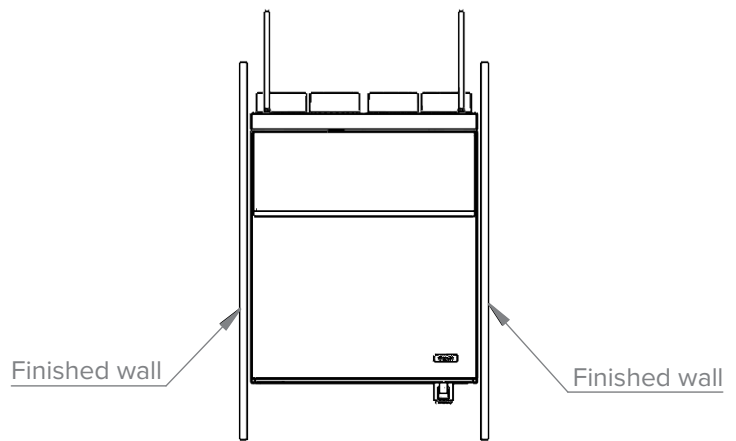
CEILING MOUNTING PLATE VALLOX 51



The recommended distance from the finished rear wall is 10 mm



The recommended distance from the finished side wall is 10 mm



VALLOX

www.vallox.com

Vallox Oy | Myllykyläntie 9-11 | 32200 LOIMAA | FINLAND
Customer service +358 10 7732 200 | Technical support +358 10 7732 270

D9175 | 05.06.2020 | PDF