

# VALLOX 99 MV

Quieter than a whisper

Available in the  
autumn of 2022



**VALLOX**  
HOME *of* FRESH AIR

# QUIET FRESHNESS INTO THE HOME

The latest model in the MyVallox product family, Vallox 99 MV, is the quietest ventilation unit made by Vallox – and, probably, also the quietest on the market. The low noise level of the unit is enabled by the air technical design by Vallox. The careful optimisation of air flows, carefully selected components, and excellent soundproofing of the frame ensure the tested\* quietness of Vallox 99 MV.

Thanks to Vallox 99 MV, no expensive and time-consuming additional soundproofing is necessarily needed even in challenging locations. When installed on top of a washing tower, for example, there is no room for additional soundproofing structures.

With Vallox 99 MV, the sound pressure level remains below 38 dB even when the air flow is above 70 l/s (LpA dB(A) 10m<sup>2</sup>). For this reason, it can be installed in larger apartments than other ventilation

\* Sound pressure levels have been tested in accordance with the ISO 5135:1997 and ISO 3741:2010 standards.

## QUIET VENTILATION

- Air flow guide grilles even out the air flow and reduce its tonal noise especially at low frequencies.
- The exact design of air flows inside the unit reduces the pressure loss and the noise level.
- The soundproofing of the frame enhances the quietness of the ventilation.

units with similar air volumes. The fact that the same ventilation unit can be installed in all apartments of the building regardless of their size enables easier ventilation design as well as the acquisition, maintenance and user instruction related to the units.

## All features of the MyVallox unit in a compact package

One of the starting points of the design of the Vallox 99 MV ventilation unit was to create a unit that meets the wishes of the users. For this reason, the maximum height of the unit was specified based on customer needs, resulting in the lowest unit in the market. The unit can be installed above a washing tower, for example.

The white-painted ceiling mounting plate finishes off the installation and there is no need to install time-consuming covering strips.

The Vallox 99 MV ventilation unit is controlled by using the method that suits the location best, e.g., by

using an apartment-specific control panel or through the cooker hood. The unit can also be connected to the cloud service or house automation. The ventilation can also be set to be partly or fully controlled based on the integrated air quality sensors. With the carbon dioxide and humidity sensors, ventilation is boosted automatically and energy efficiently based on the need.

The efficient heat recovery of the unit ensures energy efficiency. The partial bypass of the heat recovery cell maintains the supply air temperature even also in the spring and autumn.

## Technical support assists professionals

The technical support of Vallox assists professionals in the field throughout the entire lifespan of the product. The technical support team will assist in matters related to ventilation design and the installation, setup, and warranty servicing of the unit.

## ENERGY-EFFICIENT VENTILATION

- The efficient heat recovery of Vallox 99 MV with a partial bypass and the EC motors that consume very little energy enable energy-efficient ventilation.

## MODERN FEATURES

- Vallox 99 MV includes all the modern features of the MyVallox ventilation units: integrated RH and CO<sub>2</sub> sensors and diverse control options.

## MADE IN FINLAND

- Vallox 99 MV has been designed and manufactured in Loimaa.

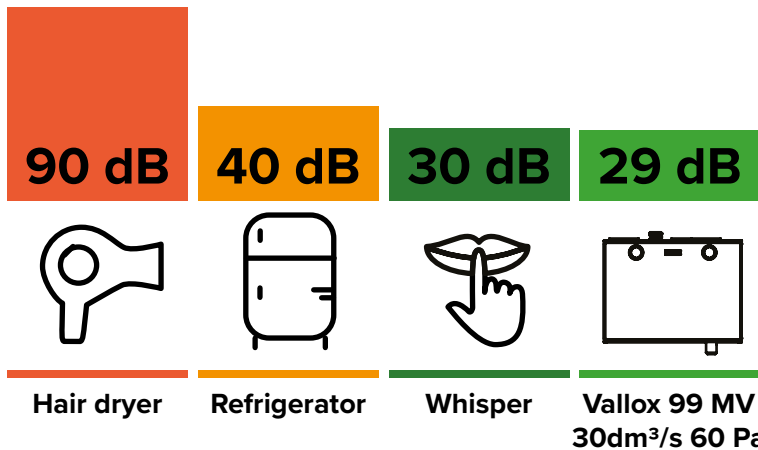
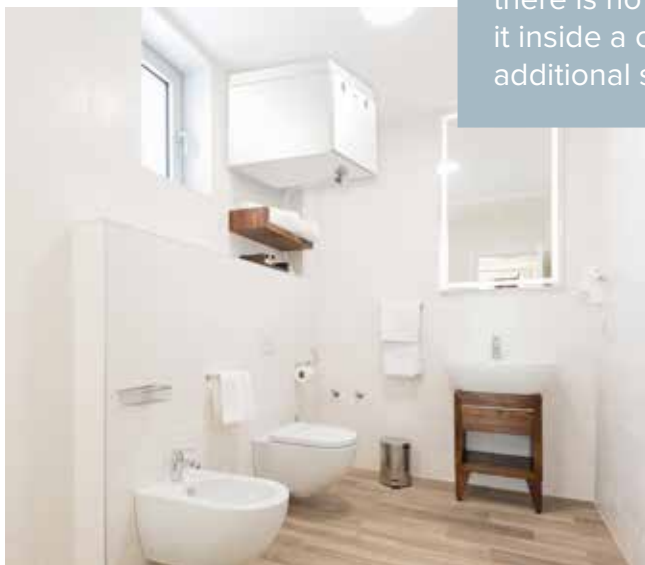




Vallox 99 MV is compact and can be installed, for example, in a bathroom on top of a washing tower.



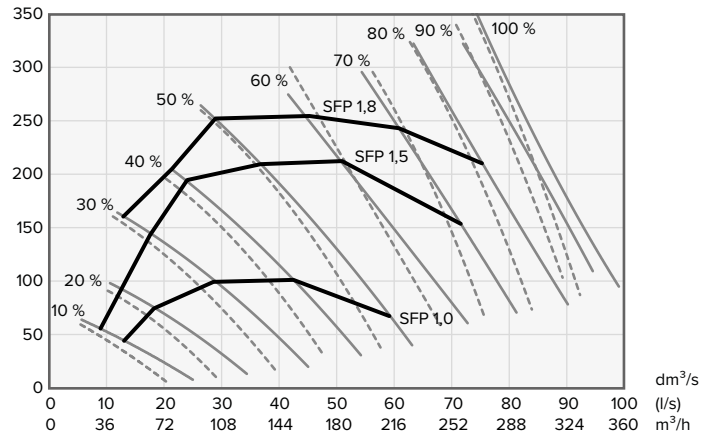
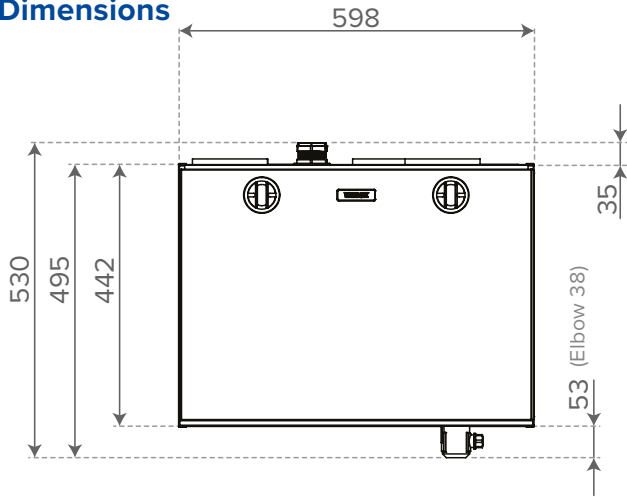
Because the soundproofing of Vallox 99 MV is good, there is no need to install it inside a cabinet for additional soundproofing.



### All unit information in the Vallox My-Selecta product selection software

Vallox 99 MV ventilation unit will replace the Vallox 101 MC/MV models. The up-to-date unit and calculation information required for ventilation design can be found in the Vallox MySelecta product selection software. The BIM model of the unit can be downloaded directly in the used design software free of charge. The information needed for an energy report can also be acquired directly from Vallox MySelecta.

## Dimensions



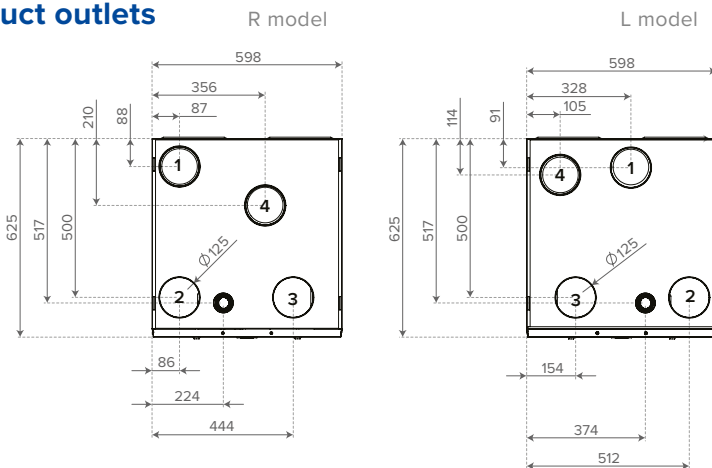
## Technical specifications

### TECHNICAL SPECIFICATIONS

<b>Product title</b>	Vallox 99 MV R Vallox 99 MV L	<b>Product number</b>	4114424 4114556
<b>Air volumes</b> Supply air Extract air	92 dm³/s, 100 Pa 99 dm³/s, 100 Pa	<b>Fans</b> Supply air Extract air	0.085 kW, 0.75 A EC 0.085 kW, 0.75 A EC
<b>Post-heating</b>	Electrical resistor, 900 W	<b>Electrical connection</b>	230 V, 50 Hz, 8.6 A power plug
<b>Pre-heating</b>	–	<b>Enclosure protection class</b>	IP 34
<b>Additional heating</b>	Electrical resistor, 900 W	<b>Heat recovery bypass</b>	Automatic
<b>Filters</b> Supply air Extract air	ISO Coarse > 75 % + ISO ePM <sub>1</sub> ISO Coarse > 75 %		
<b>Specific energy consumption (SEC)</b> in a cold climate in a temperate climate	A+ A	<b>Operating efficiencies*</b> Annual efficiency Supply air efficiency Specific Fan Power (SFP)	76 % 81 % 1.12 kW/m³/h (64 dm³/s)
<b>Dimensions (w x h x d)</b>	598 x 442 x 625 mm	<b>Weight</b>	59 kg

\*Working point defined in the Ecodesign Directive (2009/125/EC), Southern Finland, Helsinki-Vantaa TRY year 2012.

## Duct outlets



1. Supply air
2. Extract air
3. Outdoor air
4. Exhaust air

Vallox  
**99<sub>MV</sub>**

- even quieter ventilation
- no additional soundproofing of the ventilation unit is necessarily needed
- energy-efficient and guaranteed Vallox quality
- an excellent price-quality ratio
- easy to install and take into use
- easy to use and maintain

# VALLOX

[www.vallox.com](http://www.vallox.com)

Vallox Oy | Myllykyläntie 9-11 | 32200 LOIMAA | FINLAND